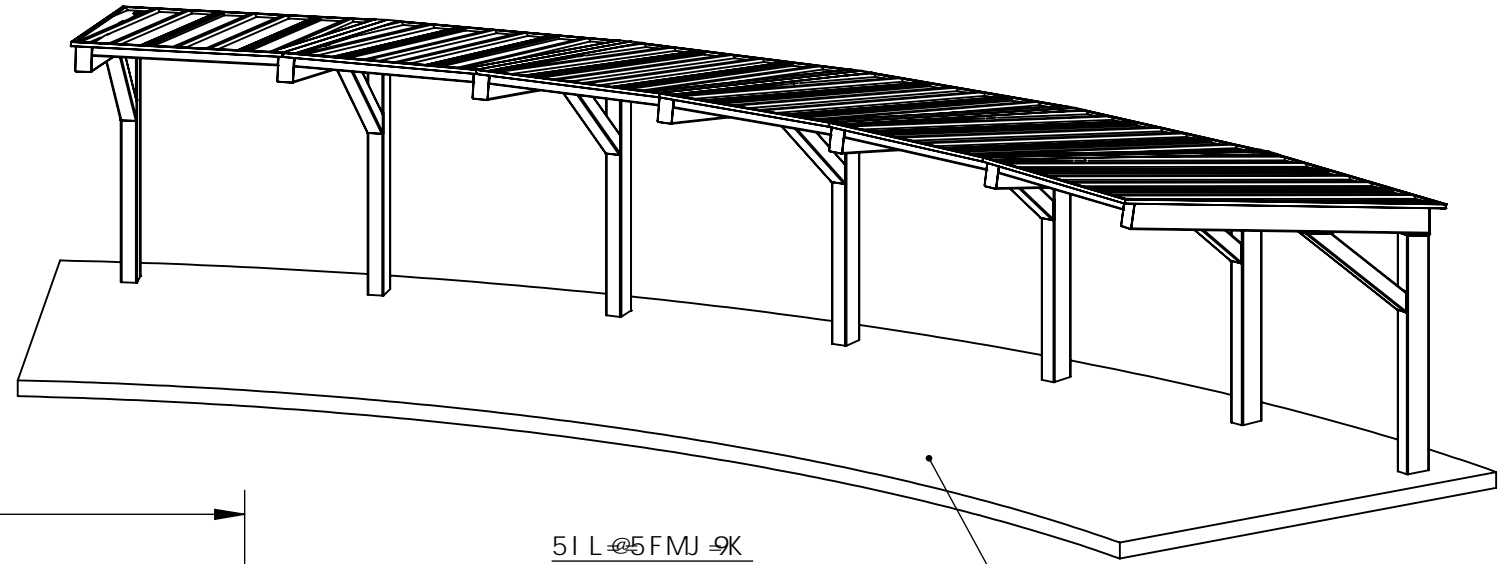


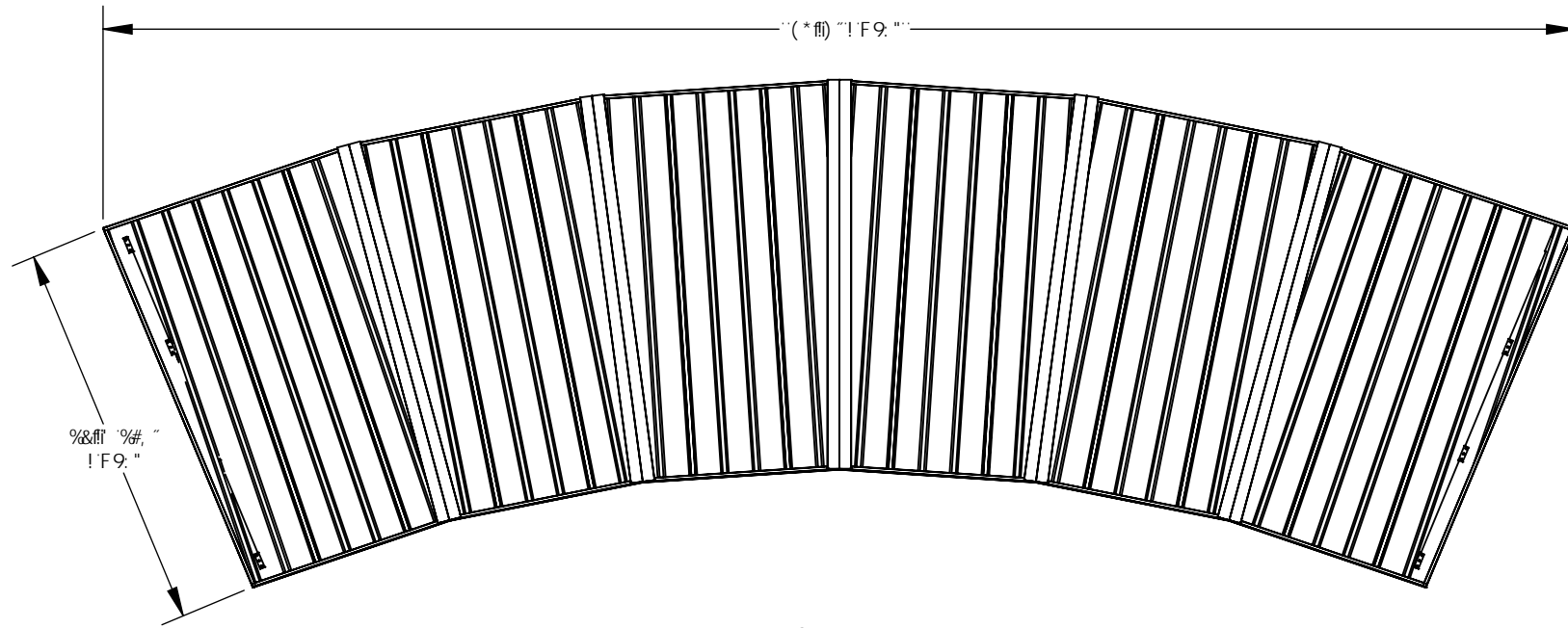
: 9B9F5@FCC: BCHHG

% A 9IB@FCC: B; .
&(; 51; 9
; 5@5@A 97C5H98
; ?MB5F) \$\$D5-BH98
&" H-A 7C@CFA 5H7 <9GFCC:
" G99DC@= CB"7CA :CF
7C@CFC DHC BG

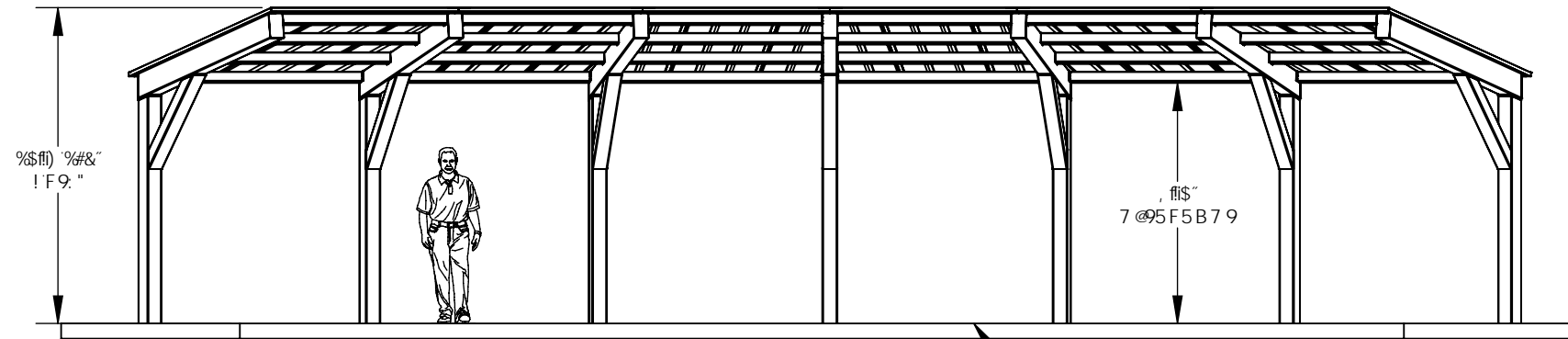


51L@5FMJ-9K

65G9-G @ GF5HJ 9ZB"=7"

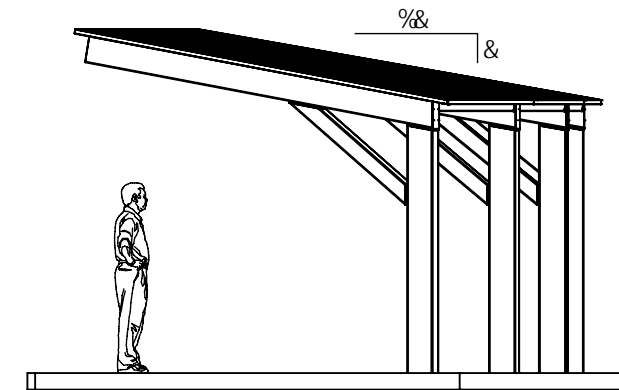


HCDJ-9K



9@J 5HC B:5

: B G< ; F589"
A C I BHB; J 5F-9G
65G98 C B 9B; B 99F B;
F9E I F9A 9BHG



9@J 5HC B:6

GCD^{°°}
BCH: CF 7 CBGFI 7HCB
I G9: CF DF9@A-B5FM
D@BB-B; 5B8 9CHA 5HB;
CB@M

DFC-97H	DFC-97HB5A 9	DF-9H85HP	8F5KB6M	F9J 9@J 9@	ft % L -- 1% * k k 'bc I cb Vza Vn DCFHBF7CFD
DFC-97H@75HC B	DFC-97H@75HC B	* # \$F8&\$%(VYXLY	5	
8F5K B:	5F7 <#97 H F5@9@J 5HC B G	>C.6.BIA 9F		CF 5@	
		758 A C 8 9@		% + \$	
		A G@%L() I A F			
G-99H					%